

# Double Filling Feeder

●By attaching the "Double Filling Feeder" to the Rheon Cornucopia Encrusting Machine, one more material can be added to the product creating a double filled product. ●Wide range of creamy materials can be used as the second filling. ●Two types of models are available : Pump type and Screw type. Select the proper type according to the consistency of the filling desired. ●The "Double Filling Feeder" creates new products packed with originality and added value. ●Easy disassembly construction facilitates easy cleaning and sanitation.

**Encrusts one more filling and creates a new taste.**

## Pump type



Extrudes soft and pasty filling such as cream and jam into the center of encrusted products. It is also capable of extruding liquid filling.



**Ganache (Jam & Cream)**

## Screw type



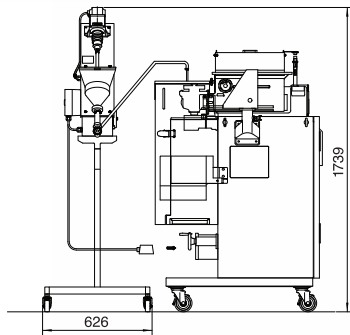
Screw Type is suitable to feed relatively dense material. Feeding amount can be adjusted very widely according to the requirement.



**Animal Cookie (3 colors)**

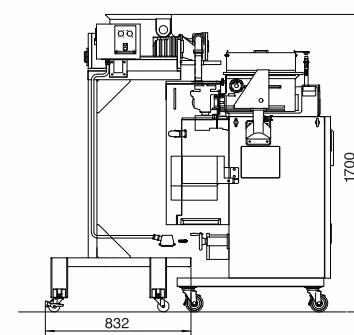
### Dimension

(Unit : mm)



### Dimension

(Unit : mm)



### Specifications

Suitable Machine	KN171	KN135	KN500	KN550 / KN551
Code	U038112	U068190	U048742	U067830
Output	0~24 kg/h			
Electrical Capacity	0.06 kW		0.09 kW	

### Specifications

Suitable Machine	KN135	KN500	KN550 / KN551
Code	U045811	U048765	U067920
Output	0~126 kg/h		0~180 kg/h
Electrical Capacity	0.1 kW		0.2 kW

### Product Examples



### Product Examples



The specifications are subject to change without notice and without obligation.

All Rights Reserved. Reproduction, adaptation or translation without prior written permission is prohibited.



#### RHEON AUTOMATIC MACHINERY CO., LTD.

Head Office: 2-3 Nozawa-machi, Utsunomiya 320-0071, Japan  
Phone: 028-665-1111 Fax: 028-665-3346 E-mail: info@rheon.com  
URL: http://www.rheon.com

#### RHEON U.S.A.

2 Doppler, Irvine, CA 92618, U.S.A.  
Phone: 949-768-1900 Fax: 949-855-1991 E-mail: us.info@rheon.com  
URL: http://www.rheonusa.com

#### RHEON U.S.A. NJ BRANCH

375 North Street, Unit K, Teletoro, NJ 07608, U.S.A.  
Phone: 201-487-0600 Fax: 201-487-0610 E-mail: us.east@rheon.com

#### RHEON AUTOMATIC MACHINERY GmbH

Tiefenbroicher Weg 30, 40472 Düsseldorf, Germany  
Phone: 0211-471950 Fax: 0211-424129 E-mail: de.info@rheon.com  
URL: http://www.rheon-europe.com

#### RHEON AUTOMATIC MACHINERY GmbH ULM BRANCH

Saumweg 30, 89257 Illertissen, Germany  
Phone: 07303-1599410 Fax: 07303-15994111 E-mail: ulm@rheon.com  
**RHEON AUTOMATIC MACHINERY CO., LTD. TAIWAN BRANCH**  
5F., No.118, Xinhui 1st Rd., Neihu District, Taipei City, Taiwan (R.O.C.)  
Phone: 02-2792-3525 Fax: 02-2792-3529 E-mail: tw.info@rheon.com  
**RHEON AUTOMATIC MACHINERY CO., LTD. SHANGHAI OFFICE**  
ROOM30, 5F G1FC11, 1438Hongqiao Road, changning District, Shanghai  
Phone: 86-21-61976378 Fax: 86-21-61976380